

## **Ku-band DRO LNB [LO Stability: +/-500 kHz]**

**MODEL NO. NJR2184HA**

**MODEL NO. NJR2183HA**

**MODEL NO. NJR2144HA**

**MODEL NO. NJR2144HT**

**MODEL NO. NJR2154HA**



### < Features >

- \* Low Noise Figure
- \* RoHS Compliance

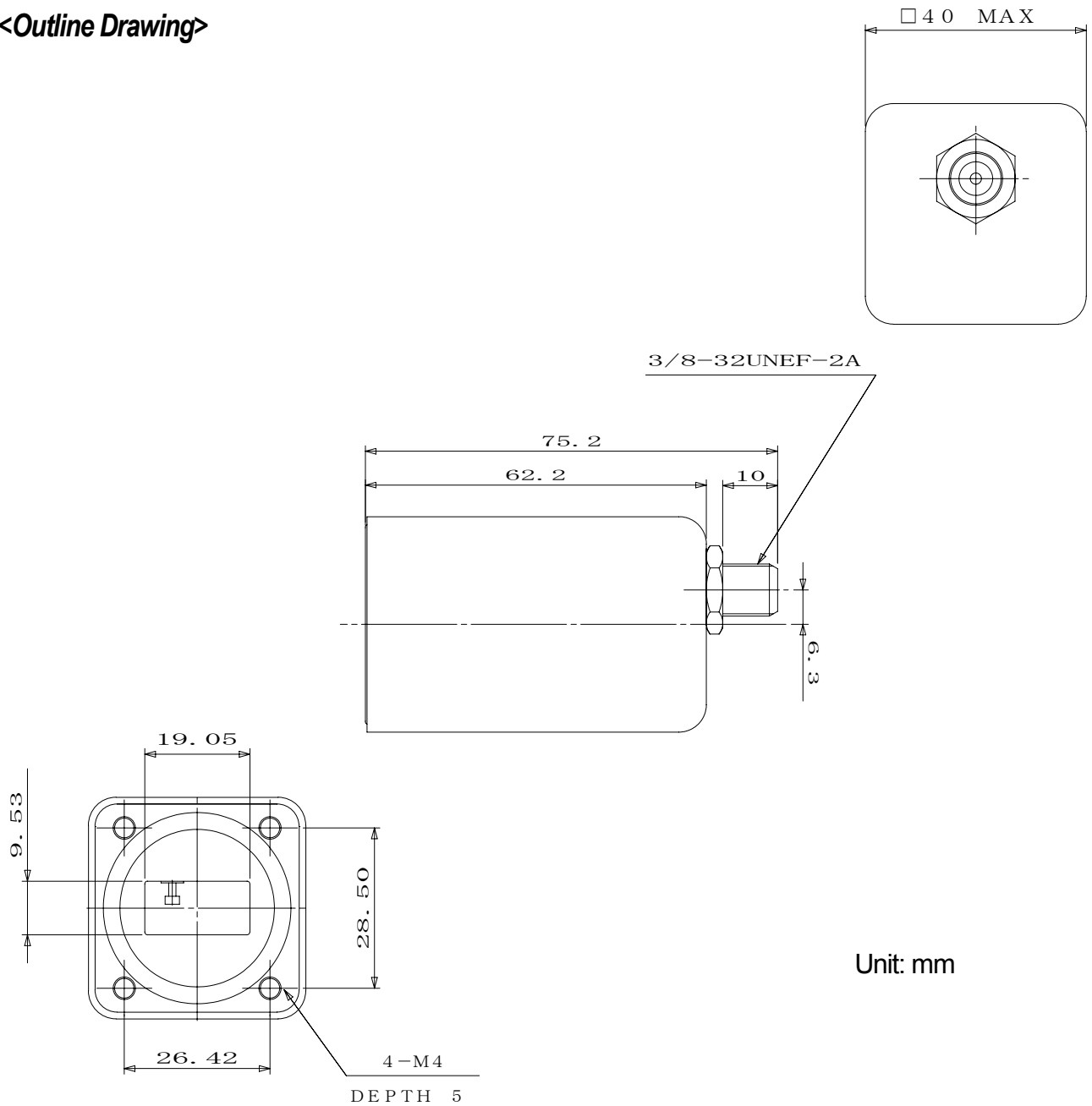
### <Line-Up>

| Model No. | RF Frequency       | Local Frequency | Local Stability<br>[-40 to +60 C] | IF Frequency     | IF Connector |
|-----------|--------------------|-----------------|-----------------------------------|------------------|--------------|
| NJR2184HA | 10.95 to 11.70 GHz | 10.00 GHz       | +/- 0.5 MHz                       | 950 to 1,700 MHz | F-type       |
| NJR2183HA | 11.20 to 11.70 GHz | 10.25 GHz       |                                   | 950 to 1,450 MHz |              |
| NJR2144HA | 11.70 to 12.20 GHz | 10.75 GHz       |                                   | 950 to 1,450 MHz |              |
| NJR2144HT |                    |                 |                                   |                  |              |
| NJR2154HA | 12.25 to 12.75 GHz | 11.30 GHz       |                                   | 950 to 1,450 MHz |              |

### <Specifications>

| Item                               | Specifications   |
|------------------------------------|--|
| Input Interface                    | WR-75  |
| Output Interface                   | F-type, female (75 ohm)  |
| Noise Figure                       | 0.8 dB   |
| Conversion Gain (at 25C)           | 55 dB  |
| Conversion Gain Variation (at 25C) | 2 dB p-p max. In any 50 MHz segment over the frequency band                |
| Phase Noise (SSB)                  | -65 dBc/Hz @ 1 kHz<br>-85 dBc/Hz @ 10 kHz<br>-105 dBc/Hz @100 kHz          |
| Power Requirement                  | +12 to +24 V dc  |
| Operating Current                  | 110 mA   |
| Operating Temperature              | -40 to +60 degrees C   |
| Storage Temperature                | -40 to +80 degrees C   |
| Size                               | 75.2 mm (L) x 40 mm (W) x 40 mm (H)<br>[2.96" (L) x 1.57" (W) x 1.57" (H)] |
| Weight                             | 150 g max. [0.33 lbs]  |

<Outline Drawing>



Unit: mm



[www.gccsat.com](http://www.gccsat.com)

For more information, please send enquiry to:

INFO  
info@gccsat.com

SALES  
sales@gccsat.com

PHONE  
+9714-255-5242

FAX  
+9714-255-5260